

PROMASTER & PROMASTER CITY VANS



MASTERACK®

TAILOR FIT FOR A JOB DONE RIGHT

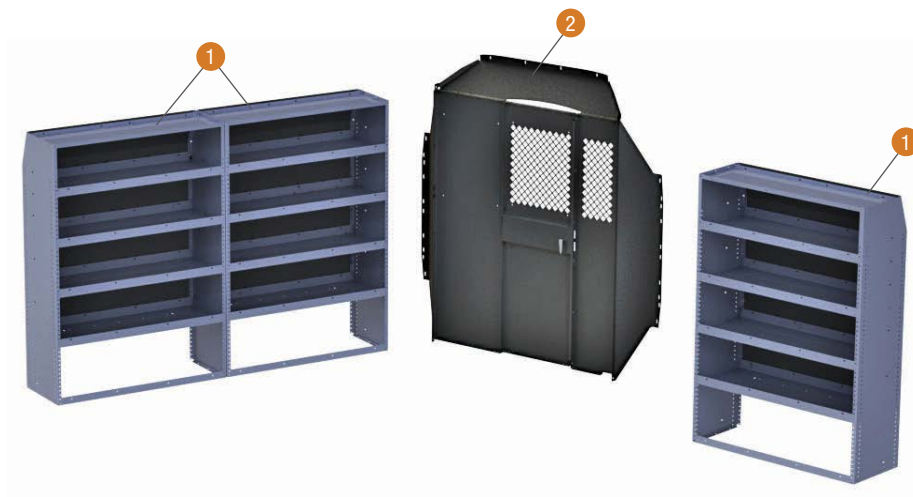


RAM ProMaster Heavy Duty Steel Packages

MASTERACK®'s strong and durable steel interiors are designed to handle the toughest applications. These high quality, heavy duty interiors have been the number one choice for many commercial fleets for more than 45 years. Cost effective and reliable, a MASTERACK® steel package will help keep fleets organized on the road for years to come.



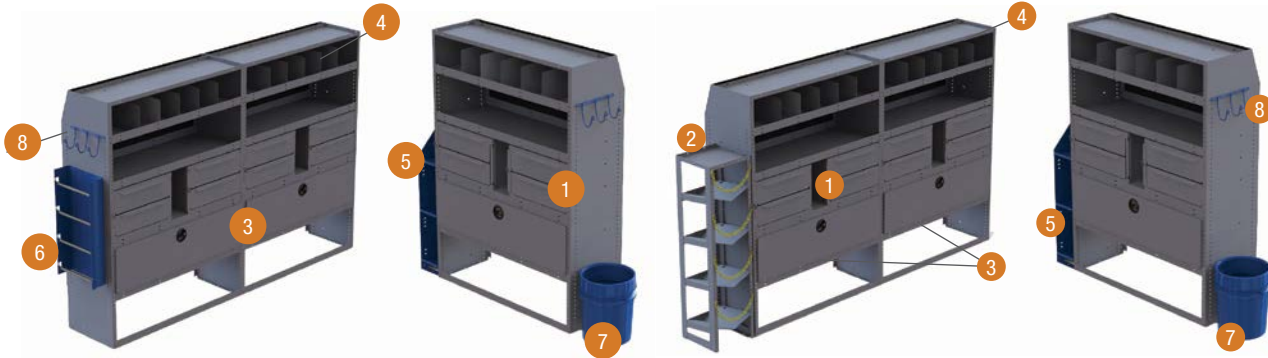
Package Fits Both Low Roof and High Roof



TALL STEEL BASE PACKAGE			
Item #	Part #	Description	Qty.
1	02A383KP	Steel Shelving Module 60"H x 43"W x 16"D	3
2	02J180KP	Steel Partition with Hinged Door	1
3	02G731KP	Attachment Panel	1

Trade Options

Customize any shelving package with the addition of drawers, doors and dividers. Select a few, buy them all, or design a unique interior to suit your needs. Perfect for contractors in all industries!



TALL STEEL OPTIONS		
Item #	Part #	Description
1	025070KP	2-Drawer Cabinet 16"D
2	025254KP	Quadruple 30# Freon Tank Holder
3	027498KP	Locking Storage Door 43"W
4	022528KP	Dividers (set of 5)
5	OSS116KP	Blue Manual Rack
6	OSS117KP	Blue Wire Spool Rack
7	OSS118KP	Blue Storage Bucket
8	OSS119KP	Blue Triple Utility Hook

Steel Partitions

Steel partitions offer maximum cargo security and protection. MASTERACK®'s signature diamond perforations and non-glare black powder coat finish provide increased visibility. Locking center door panels provide access from the cab to the cargo area.



PROMASTER PARTITION ORDERING GUIDE		
Description	Part #	Partition Attachment Panels
Steel Partition with Hinged Center Door*	02J180KP	02G731KP

**Partition must be ordered with an attachment panel.*



RAM ProMaster Configurable SmartSpace® Packages

Quiet and customizable. The industry's only all composite and aluminum van interior can be easily adjusted in minutes without tools! SmartSpace shelves are made of rugged components engineered to last in the toughest work environments. Sound-absorbing shelves, uprights, and secured drawers deter tools and equipment from rattling while vehicle is in motion. Light color panels enhance visibility inside the cargo area. MASTERACK® offers a variety of shelves, drawers, and accessories that slide into upright panels for infinite storage possibilities.



Low Roof



STANDARD SMARTSPACE BASE PACKAGE			
Item #	Part #	Description	Qty.
1	0SS150KP	Streetside: 44"H x 74"W x 16"D	1
2	0SS151KP	Curbside: 44"H x 49"W x 16"D	1
3	02J180KP	Steel Partition with Hinged Door	1
4	0SS134KP	Low Roof Install Kit (118"WB)	1
5	0SS135KP	Low Roof Install Kit (136"WB)	1
6	02G731KP	Partition Attachment Panel	1

INSTALLATION KIT SOLD SEPARATELY	
0SS134KP	Low Roof Install Kit (118"WB)
0SS135KP	Low Roof Install Kit (136"WB)

High Roof

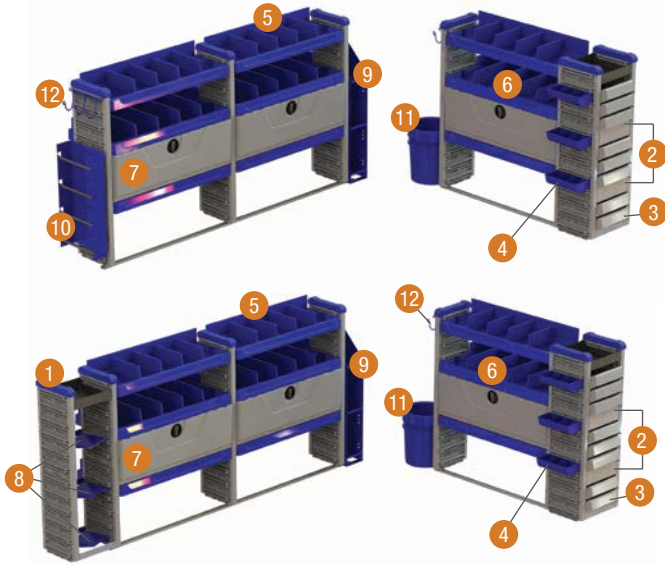


TALL SMARTSPACE BASE PACKAGE			
Item #	Part #	Description	Qty.
1	0SS152KP	Streetside: 66"H x 74"W x 16"D	1
2	0SS153KP	Curbside: 66"H x 49"W x 16"D	1
3	02J180KP	Steel Partition with Hinged Door	1
4	02G731KP	Partition Attachment Panel	1

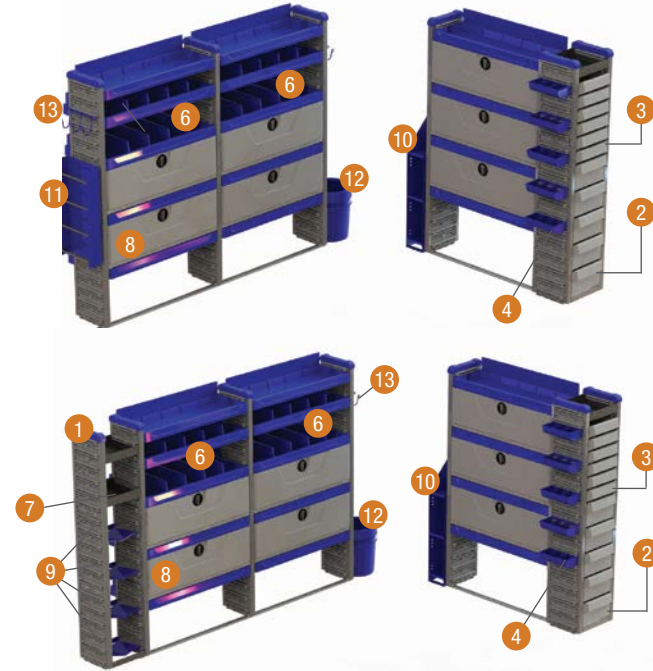
INSTALLATION KIT SOLD SEPARATELY	
0SS136KP	High Roof Install Kit (136"WB)
0SS137KP	High Roof Install Kit (158"WB)
0SS138KP	High Roof Install Kit (158"ELWB)

Trade Options

Customize any shelving package with the addition of drawers, doors and dividers. Select a few, buy them all, or design a unique interior to suit your needs. Perfect for contractors in all industries!



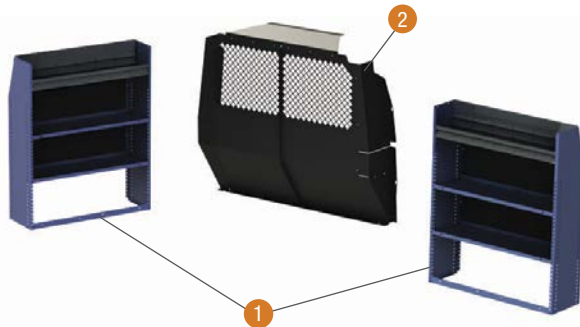
STANDARD SMARTSPACE OPTIONS		
Item #	Part #	Description
1	OSS104KP	Cubby Module 44"H x 14"W x 12"D
2	OSS106KP	Large Drawer (w/Dividers) 12"W x 6"H x12"D
3	OSS107KP	Small Drawer (w/Dividers) 12"W x 3"H x12"D
4	OSS108KP	Composite Bin (w/Dividers)
5	OSS109KP	Shelf Dividers 12"D (set of 4)
6	OSS110KP	Shelf Dividers 16"D (set of 4)
7	OSS114KP	Locking Storage Door (37"W x 12"H)
8	OSS115KP	Steel 30# Freon Tank Shelf Kit
9	OSS116KP	Blue Manual Rack
10	OSS117KP	Blue Wire Spool Rack
11	OSS118KP	Blue Storage Bucket
12	OSS119KP	Blue Triple Utility Hook



TALL SMARTSPACE OPTIONS		
Item #	Part #	Description
1	OSS105KP	Cubby Module 66"H x 14"W x 12"D
2	OSS106KP	Large Drawer (w/Dividers) 12"W x 6"H x12"D
3	OSS107KP	Small Drawer (w/Dividers) 12"W x 3"H x12"D
4	OSS108KP	Composite Bin (w/Dividers)
5	OSS109KP	Shelf Dividers 12"D (set of 4 not pictured)
6	OSS110KP	Shelf Dividers 16"D (set of 4)
7	OSS113KP	Shelf Kit (12"W x 12"D)
8	OSS114KP	Locking Storage Door (37"W x 12"H)
9	OSS115KP	Steel 30# Freon Tank Shelf Kit
10	OSS116KP	Blue Manual Rack
11	OSS117KP	Blue Wire Spool Rack
12	OSS118KP	Blue Storage Bucket
13	OSS119KP	Blue Triple Utility Hook

RAM ProMaster City Heavy Duty Steel Packages

MASTERACK®'s strong and durable steel interiors are designed to handle the toughest applications. These high quality, heavy duty interiors have been the number one choice for many commercial fleets for more than 45 years. Cost effective and reliable, a MASTERACK® steel package will help keep fleets organized on the road for years to come.

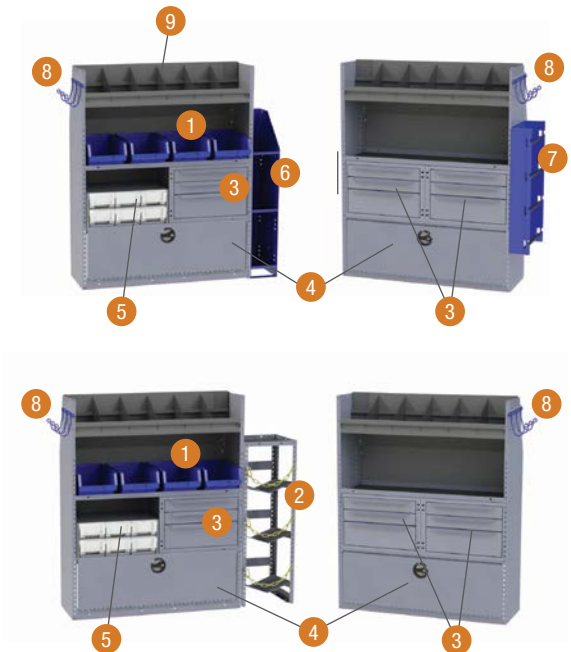


COMPACT STEEL BASE PACKAGE			
Item #	Part #	Description	Qty.
1	02J640KP	Steel Shelving Module 44"H x 37"W x 12"D	2
2	02J644KP	Steel Partition	1
3	02J724KP	Install Kit	1

Trade Options

Customize any shelving package with the addition of drawers, doors and dividers. Select a few, buy them all, or design a unique interior to suit your needs. Perfect for contractors in all industries!

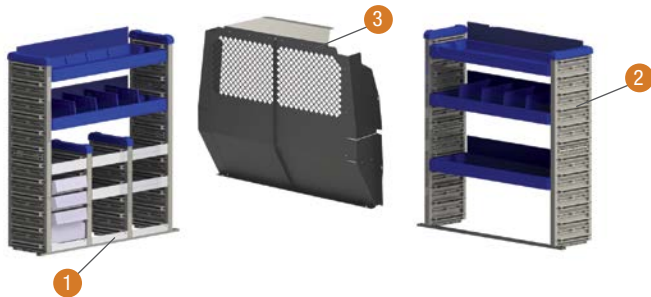
COMPACT STEEL OPTIONS		
Item #	Part #	Description
1	021471KP	Composite Storage Bins (set of 4)
2	025545KP	Triple 30# Freon Tank Holder
3	027259KP	3-Drawer Cabinet 12"D
4	027497KP	Locking Storage Door 37"W
5	02D641KP	6-Drawer Cabinet 12"D
6	OSS116KP	Blue Manual Rack
7	OSS117KP	Blue Wire Spool Rack
8	OSS119KP	Blue Triple Utility Hook
9	02B893KP	Tool Drop Tray Dividers (set of 5)





RAM ProMaster City Configurable SmartSpace® Packages

Quiet and customizable. The industry's only all composite and aluminum van interior can be easily adjusted in minutes without tools! SmartSpace shelves are made of rugged components engineered to last in the toughest work environments. Sound-absorbing shelves, uprights, and secured drawers deter tools and equipment from rattling while vehicle is in motion. Light color panels enhance visibility inside the cargo area. MASTERACK® offers a variety of shelves, drawers, and accessories that slide into upright panels for infinite storage possibilities.

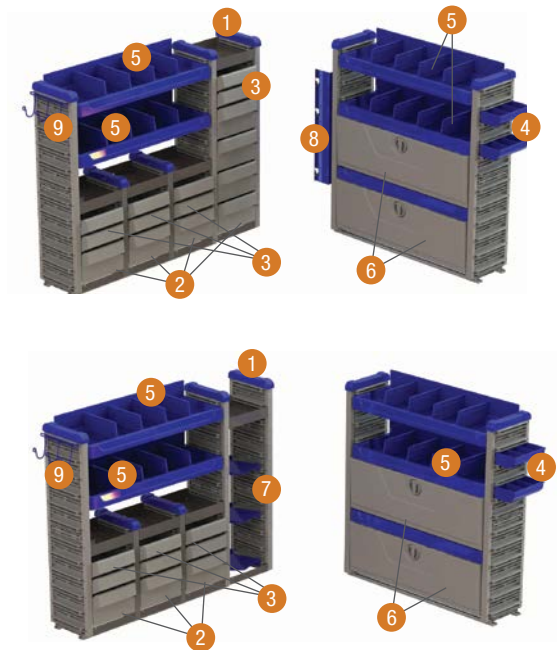


COMPACT SMARTSPACE BASE PACKAGE			
Item #	Part #	Description	Qty.
1	OSS154KP	Streetside 44"H x 37"W x 12"D	1
2	OSS155KP	Curbside 44"H x 37"W x 12"D	1
3	O2J644KP	Steel Partition	1
4	OSS182KP	Install Kit	1

Trade Options

Customize any shelving package with the addition of drawers, doors and dividers. Select a few, buy them all, or design a unique interior to suit your needs. Perfect for contractors in all industries!

COMPACT SMARTSPACE OPTIONS		
Item #	Part #	Description
1	OSS104KP	Cubby Module 44"H x 14"W x 12"D
2	OSS106KP	Large Drawer (w/Dividers) 12"W x 6"H x 12"D
3	OSS107KP	Small Drawer (w/Dividers) 12"W x 3"H x 12"D
4	OSS108KP	Composite Bin (w/Dividers)
5	OSS109KP	Shelf Dividers 12"D (set of 4)
6	OSS114KP	Locking Storage Door (37"W x 12"H)
7	OSS115KP	Steel 30# Freon Tank Shelf Kit
8	OSS117KP	Blue Wire Spool Rack
9	OSS119KP	Blue Triple Utility Hook



Ladder & Utility Racks

LOCKING LADDER RACKS

MASTERACK® patented, easy-to-use clamping action secures ladders in place. Ladders are easily loaded and unloaded from the side of the van for safe, efficient operation. These no-drill ladder racks secure to existing mounting points in the vehicle roof, reducing install time and improving resale value. Locking feature protects cargo while on the move or at the end of the day.

PROMASTER CITY LOCKING LADDER RACKS	
Description	Part #
Single Locking Ladder Rack for Extension Ladders	02J645KP
Locking Ladder Rack - Streetside Upgrade for Step/Combination Ladders	02J646KP



SLIDE-DOWN LADDER RACKS

Easily lowers ladders within arm's reach with easy-to-use actuator handle. Includes assist for effortless operation. Ships pre-assembled for quick installation.



PROMASTER CITY SLIDE-DOWN LADDER RACKS	
Description	Part #
Single Slide-Down Ladder Rack	02J647KP
Double Slide-Down Ladder Rack	02J648KP

UTILITY CARRIER

This economic but rugged choice can hold a variety of items including ladders.



Partitions

Steel partitions offer maximum cargo security and protection. MASTERACK®'s signature diamond perforations and non-glare black powder coat finish provide increased visibility.



PROMASTER CITY PARTITION ORDERING GUIDE		
Part #	Description	Attachment Panels
02J644KP	Steel	N/A

Distributed By:



MASTERACK®

For more information or to find an authorized MASTERACK® installer in your area, visit WWW.MASTERACK.COM.

MASTERACK® and SmartSpace® are registered trademarks. Products and specifications subject to change without notice.

©2020 MASTERACK®

