

UPLYFT™

L A D D E R R A C K

SHIP-THRU READY | QUICK INSTALL | 5-YEAR WARRANTY



 MASTERACK®

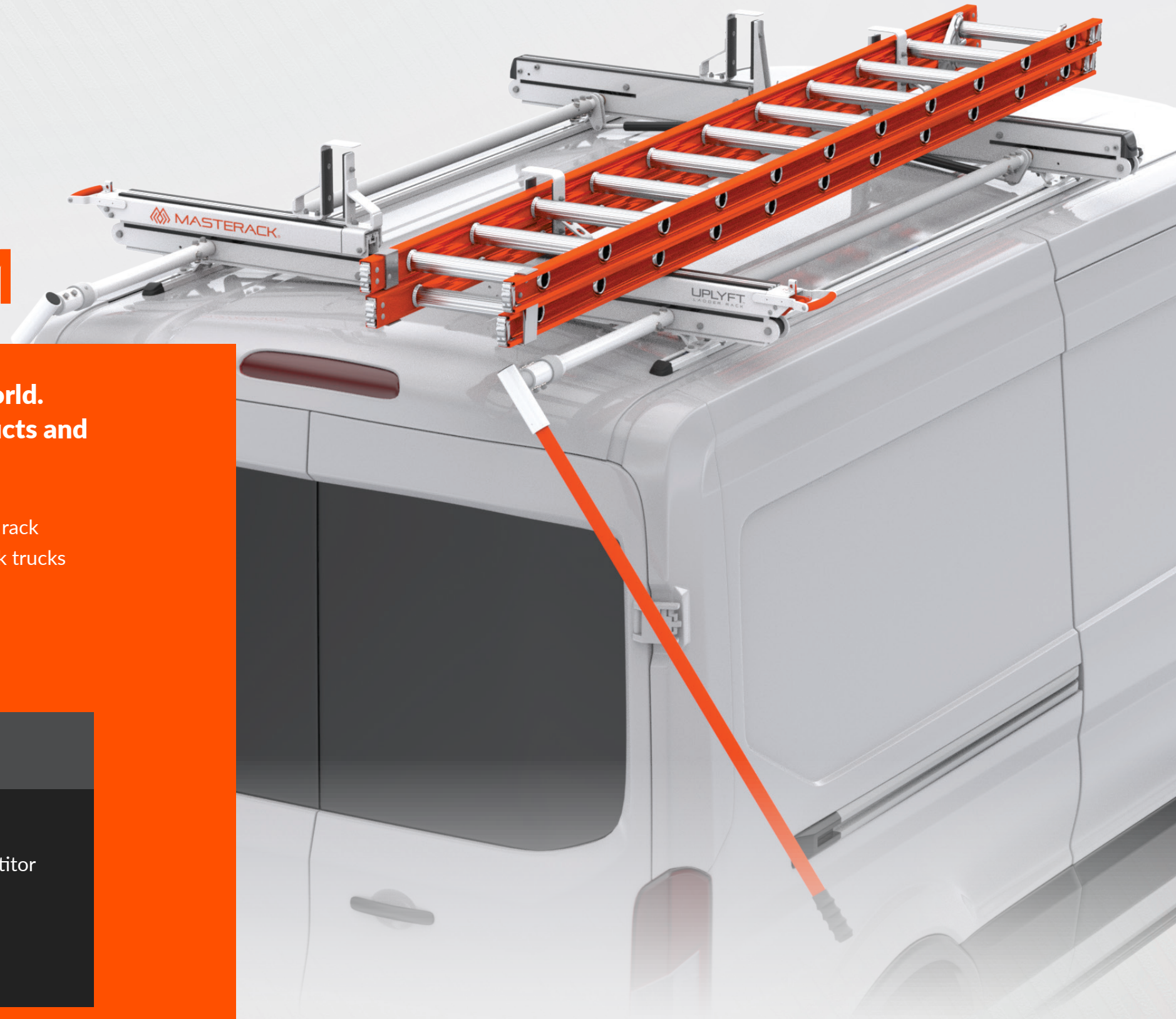


INTRODUCING THE UPLYFT™ LADDER RACK SYSTEM

MASTERACK® is an Industry Veteran in the Work Van and Truck World. For over 50 years, we have offered the highest level of quality products and service at a value that our customers appreciate.

The UPLYFT™ Ladder Rack is the most reliable and durable drop-down, rotation style ladder rack on the market. With over 16 Different Single and Dual Ladder Rack models available for work trucks and vans, including Ford, GM, and RAM, the UPLYFT™ Ladder Rack is built to last.

We guarantee it with an industry leading 5-Year Warranty.



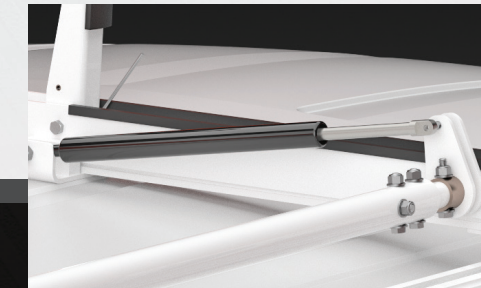
TAILOR FIT FOR YOUR FLEET

- **LOWEST PROFILE** ladder rack on the market
- **50% FASTER ASSEMBLY TIME** than the leading competitor
- **SHIP-THRU** available for Ford and GM vans
- **QUICK AND EASY FINAL ASSEMBLY** after ship-thru with just two bolts (see installation instructions)

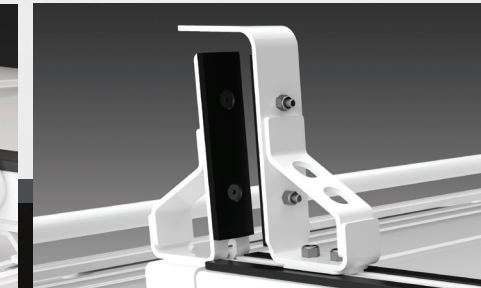


ROBUST ALUMINUM CONSTRUCTION

➤ **ERGONOMIC GRIP & LOCKABLE HANDLE**
for a secure and easy grip



➤ **EASY HYDRAULIC OPERATION**
for smooth, one-hand pull down operation



➤ **ABS WRAPPED S-BRACKETS**
secure ladder clamping and also protect ladders from abrasion



➤ **ABS PROTECTED SIDE & END CAPS**
for safer operation and service

➤ **UV POWDER COAT**
protects against the elements and prohibits rust buildup

➤ **REMOVABLE STOW AWAY HANDLE**
for easy reach and operation

➤ **DURABLE BRONZE BEARINGS**
for extended life





ELEVATE YOUR FLEET

Installs in under 30 minutes

Holds up to a 28-ft ladder / up to 70 lbs

› **NO HOLES
REQUIRED**
for fast, simple mounting

› **LOWEST PROFILE**
for decreased wind
resistance

› **FULLY OPENS
& CLOSES**
with or without a ladder

› **EXTRA STRENGTH**
is provided with linkage
positioned over center
supported mechanism

› **NARROW DESIGN**
does not hang over sides
of vehicle

› **LOWEST SLIDE DOWN
LADDER RACK**
for easier loading and unloading



INSTALL **READY**

With fewer than 30 parts, the Masterack UPLYFT™ Ladder Rack System can be installed 50% faster than the leading ladder rack system in four simple steps.

▶ CUT ASSEMBLY TIME IN HALF

1 Lower slide-down rack

2 Slide second stage platform onto rear crossbow

3 Rotate and bolt rear center post in place

4 Bolt S-brackets on front and rear crossbows



INDUSTRY LEADING

5 YEAR
OR
60,000 MILE

L I M I T E D W A R R A N T Y

MASTERACK® commercial van and pick up equipment is warranted to be free from defects in material and workmanship, under normal use and service, for a period of one (1) year from date of purchase. Factory installations and products installed in new vehicles by an authorized MASTERACK® installer are warranted for five (5) years or 60,000 miles (96,561 km), whichever comes first.

This warranty covers only repairs, or at MASTERACK's discretion, replacement to correct any defects related to materials and workmanship.

This warranty does not apply to:

- Additions, alterations, or installations made by persons including dealers, other than MASTERACK® and its authorized distributors, made in accordance with MASTERACK® specifications and/or instructions, nor to defects arising out of attribute to such additions, alterations or installations.
- Defects attributable to abuse or misuse of the product, misapplication, negligent accident, modification or tampering.
- Damage resulting from failure to promptly notify and comply with the instructions of the dealer or manufacturer about defects when noted.
- Any incidental or consequential damages connected with a defect, either while under warranty or afterward, including the cost of a rental truck and/or loss of revenue.

THIS WARRANTY IS THE ONLY WARRANTY APPLICABLE TO A MASTERACK PRODUCT PURCHASE. All other warranties, expressed or implied, including but not limited to, the implied warranties or merchantability and fitness for a particular purpose are disclaimed. MASTERACK® and its subsidiaries shall not be liable for any incidental or consequential damages arising out of any breach of this warranty, nor shall the damages exceed the return amount of the purchase price paid by the original purchaser.

Warranty claims must be submitted to either your sales representative or a customer service representative at 800-222-8785. The vehicle must be delivered to the original MASTERACK® authorized installer of the product or, if not practical, to a MASTERACK® authorized dealer for inspection and any warranty service. Any warranty service to be performed by a source other than a MASTERACK® location or an approved MASTERACK® distributor must be authorized in advance of the repairs by the MASTERACK® Warranty Administrator and a purchase order issued by MASTERACK® in advance for the authorized repairs.

SPECIFICATIONS



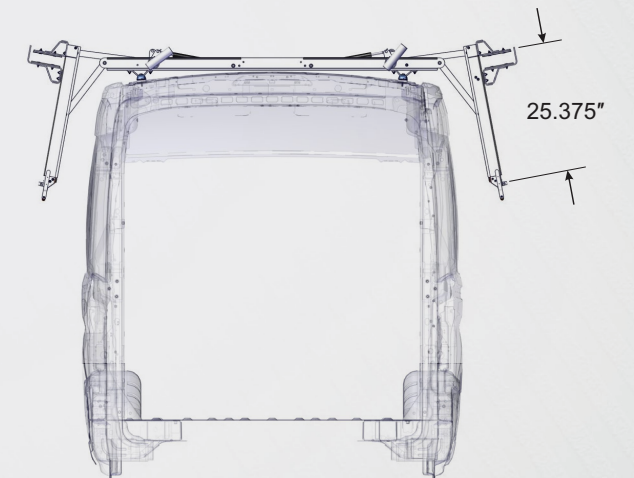
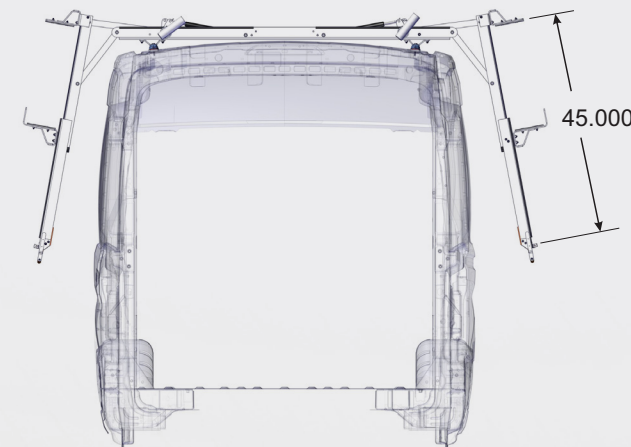
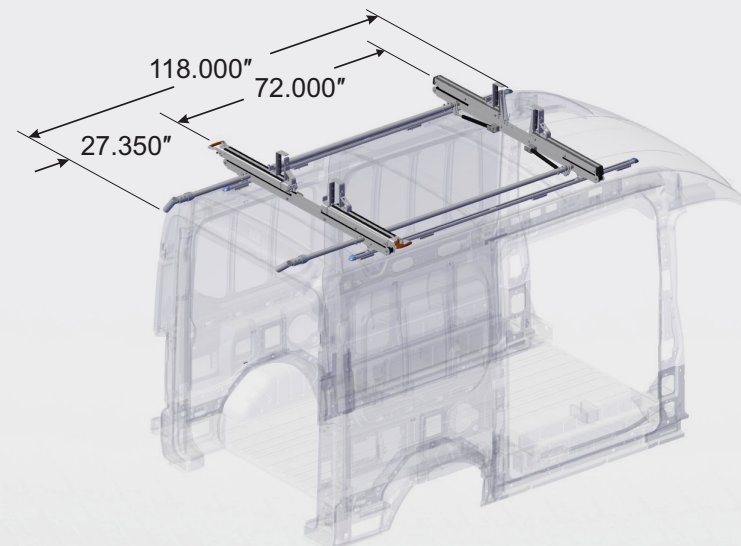
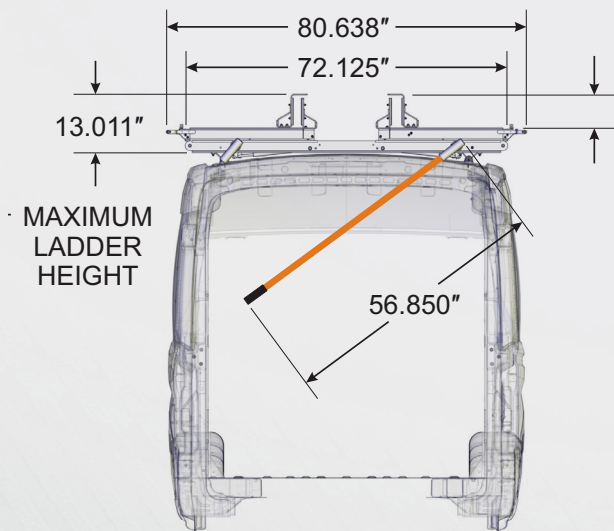
	Model	Single or Double	Roof Height	Package Name	Kit Pack Number	Kit Pack Description	Max Ladder Weight	Max Ladder Length	Min Ladder Length	Max Ladder Width	Max Ladder Height	Total Drop Down	Drown Down with Slide (Mid roof)	Max Width (Mid roof)	Weight
Ford	Transit Low Roof	Single	Low Roof (Standard Slide Down)	Ford Transit Low Roof (NO - SHIP-THRU)	02P717KP	Single Ladder Rack Standard Slide-Down	70 lbs	28 ft	8 ft (3rd crossbow required for less than 8 ft)	23 in	7-1/4 in	26 in	45-3/4 in	72-1/8 in	88 lbs
		Double			02P755KP	Double Ladder Rack Standard Slide-Down									133 lbs
	Transit Medium/High Roof	Single	Medium/High Roof (Extended Slide-Down)	Ford Transit Med/High Roof	02P680KP	Single Ladder Rack Standard Slide-Down	70 lbs	28 ft	8 ft (3rd crossbow required for less than 8 ft)	23 in	7-1/4 in	26 in	45-3/4 in	72-1/8 in	102 lbs
		Double			02P142KP	Double Ladder Rack Extended Slide-Down									147 lbs
RAM	Promaster Medium/High Roof	Single	Medium/High Roof (Extended Slide-Down)	RAM Promaster High/Low Roof SWB	02P739KP	Single Ladder Rack Extended Slide-Down SWB	70 lbs	28 ft	8 ft (3rd crossbow required for less than 8 ft)	23 in	7-1/4 in	26 in	45-3/4 in	72-1/8 in	102 lbs
		Double			02P740KP	Double Ladder Rack Extended Slide-Down SWB									147 lbs
		Single		RAM Promaster High/Low Roof LWB	02P860KP	Single Ladder Rack Extended Slide-Down LWB									102 lbs
		Double			02P861KP	Double Ladder Rack Extended Slide-Down LWB									147 lbs
Chevy	Chevy Express Single	Single	Low Roof (Standard Slide Down)	Chevy Express/GMC Savana	02P741KP	Single Ladder Rack Standard Slide-Down	70 lbs	28 ft	8 ft (3rd crossbow required for less than 8 ft)	23 in	7-1/4 in	26 in	45-3/4 in	72-1/8 in	94 lbs
	Chevy Express Double	Double	Low Roof (Standard Slide Down)	Chevy Express/GMC Savana	02P742KP	Double Ladder Rack Standard Slide-Down	70 lbs	28 ft	8 ft (3rd crossbow required for less than 8 ft)	23 in	7-1/4 in	26 in	45-3/4 in	72-1/8 in	118 lbs



TOP VIEW



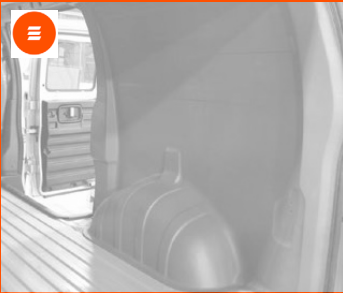
EXTENDED SIDE VIEW



UPLYFT™ LADDER RACK

SHIP-THRU READY | QUICK INSTALL | 5-YEAR WARRANTY

MORE SOLUTIONS TO ELEVATE YOUR FLEET:



Wall Liners



Accessories



Partitions



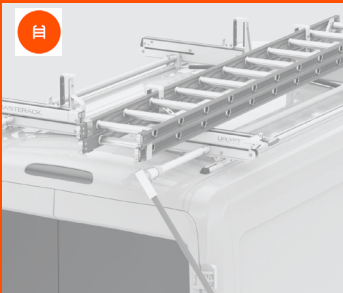
Modules



Cabinets



Shelving



Ladder & Utility Racks

©2020 MASTERACK®. All rights reserved. MASTERACK® and UPLYFT™ are registered trademarks. Products and specifications subject to change without notice.

UPLYFT-BR | 11/20



MASTERACK Headquarters
2400 Mellon Court
Decatur, GA 30035
800-222-8785

MASTERACK.COM

Follow us on social:    

